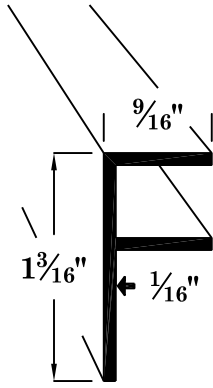


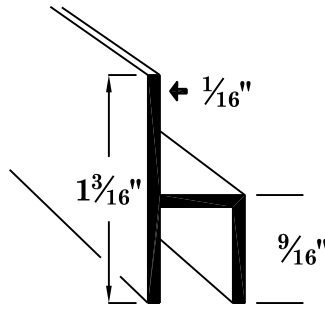
For $\frac{3}{8}$ " Material

Lengths: 24 ft, 12 ft, 8 ft, 6 ft & 4-ft

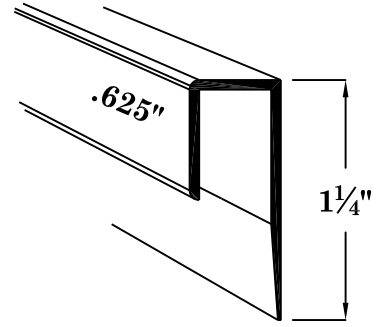
* 12 ft, 6 ft & 4 ft only



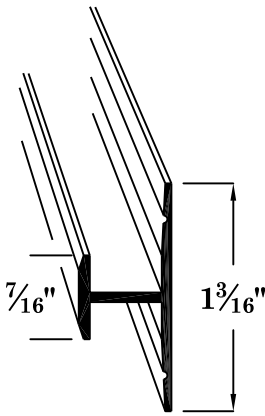
F375 S



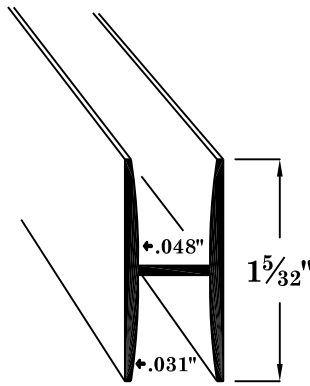
H375 S



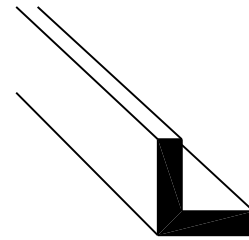
G1275 S*



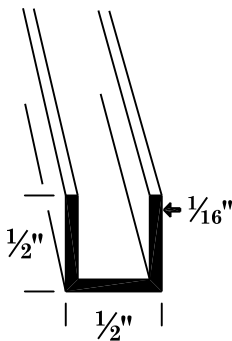
G855 S*



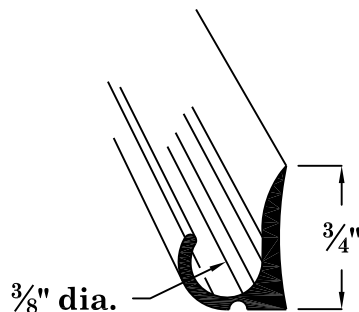
HU374 S*



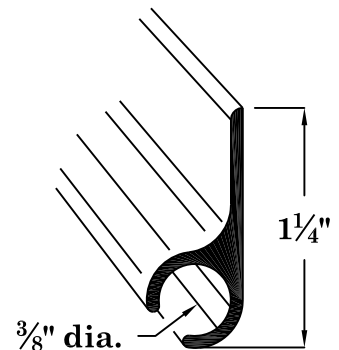
$\frac{1}{2}$ " x $\frac{1}{2}$ " x $\frac{1}{8}$ "
A408 S



C20808 S*



$\frac{3}{8}$ " dia.
M174 S* & SL*
Drip Rail



$\frac{3}{8}$ " dia.
M172 S*
Awning Rail

Finishes:
 S Satin Etch
 SL Silver Luster