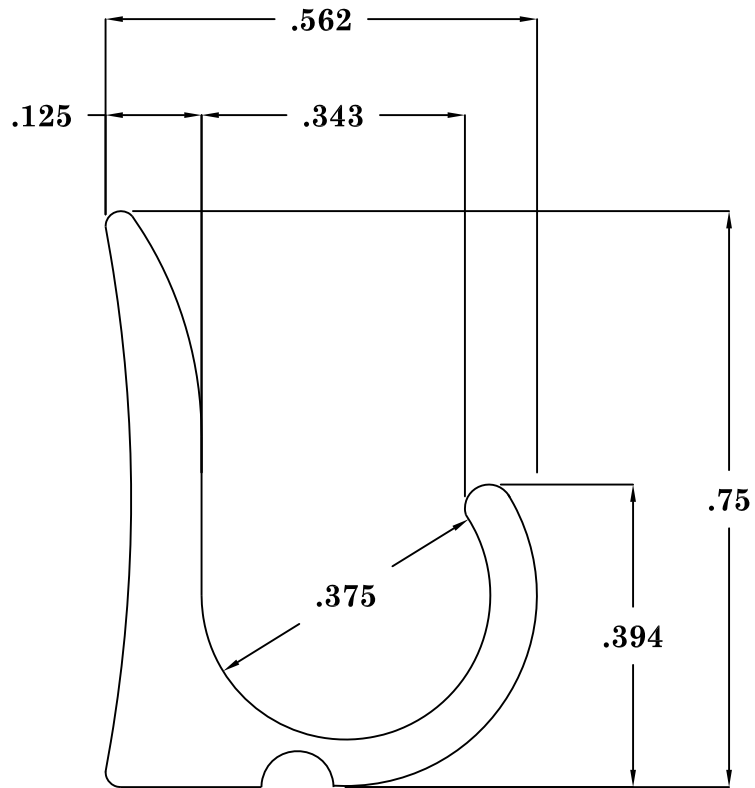


REVISIONS

ZONE	REV	DESCRIPTION	DATE	APPROVED



**Actual**

Alloy 6063-T5 Metal: .062" typ. Est. Wt. .138 #/ft. PPI 2.95 in. Industry Standard tolerances	<b>Brunner Enterprises™ Inc</b>			
	100 Ridge Road, Lackawanna, NY 14218 (877) 299-2622 toll-free (716) 826-3054 fax www.brunnerent.com			
	SIZE	FSCM NO.	DWG NO. <b>M174</b>	REV
	SCALE 4:1			SHEET